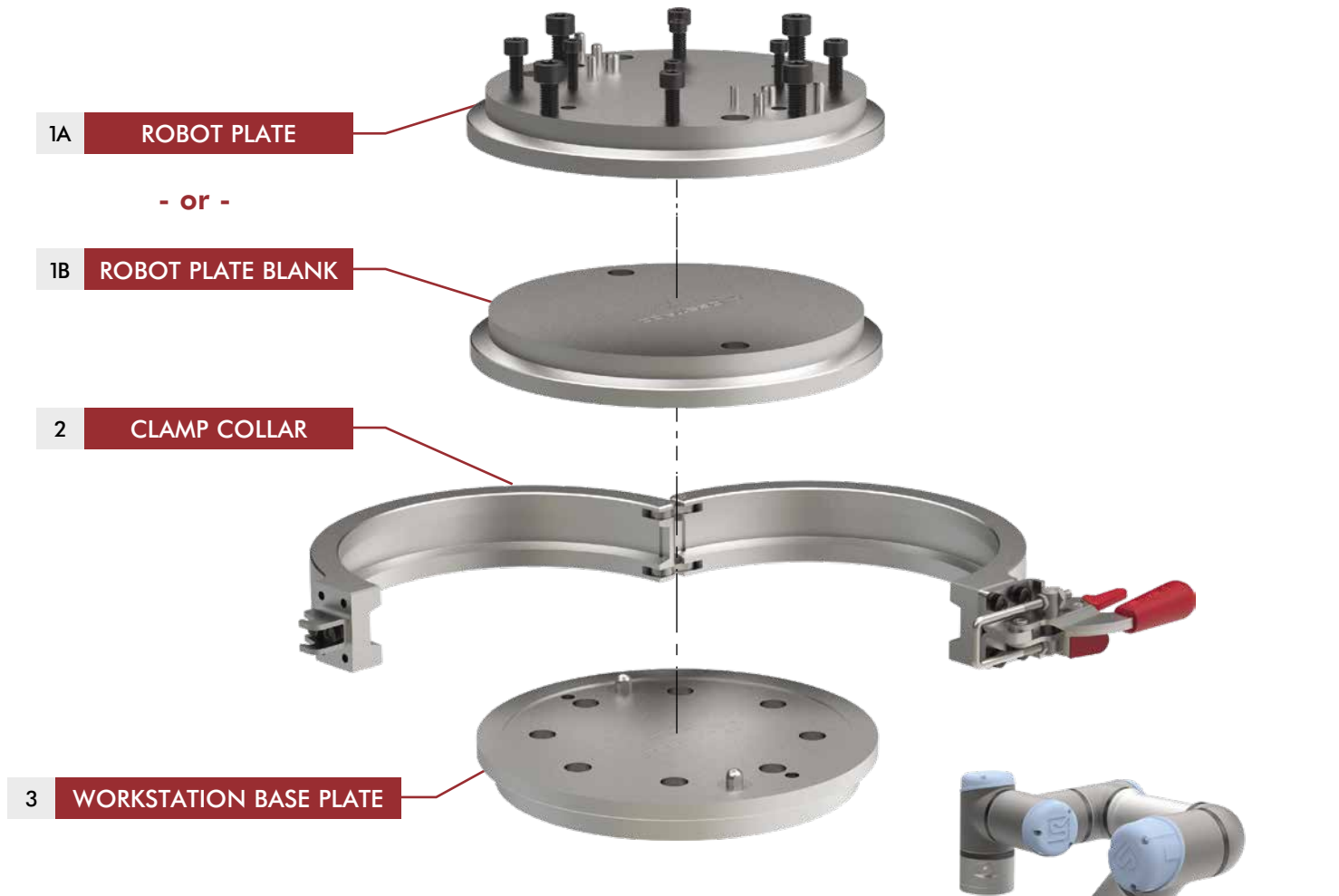


QUICK-MOVE ROBOT BASE CHANGER

Quick-Move Robot Base Changer | Product Overview



Order #	Description	Page
1A CB-200-R01	Robot Plate with UR and TM mounting hole pattern (Mounting hardware included)	2
1B CB-200-R00	Robot Plate Blank (Mounting hardware not included)	3
2 CB-200-C01	Clamp Collar	3
3 CB-200-B01	Workstation Base Plate (Mounting hardware not included)	4

Compatibility Charts

Robot Manufacturer	Model	Robot Plate
TECHMAN	TM5M-700, TM5M-900, TM12M, TM14M	CB-200-R01
UNIVERSAL ROBOTS	UR3, UR5, UR10, UR16	
HANWA PRECISION MACHINERY	HCR-3, HCR-5	
OMRON TM	TM5-700, TM5-900, TM12, TM14	
DOBOT	CR-5	
Other Robots	Various	CB-200-R00

QUICK-MOVE ROBOT BASE CHANGER

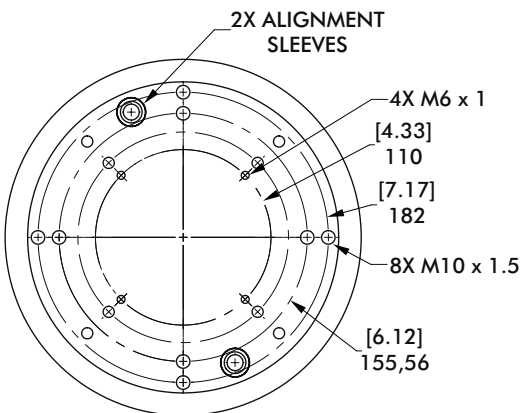
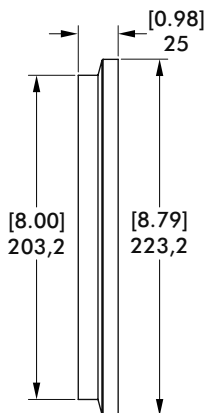
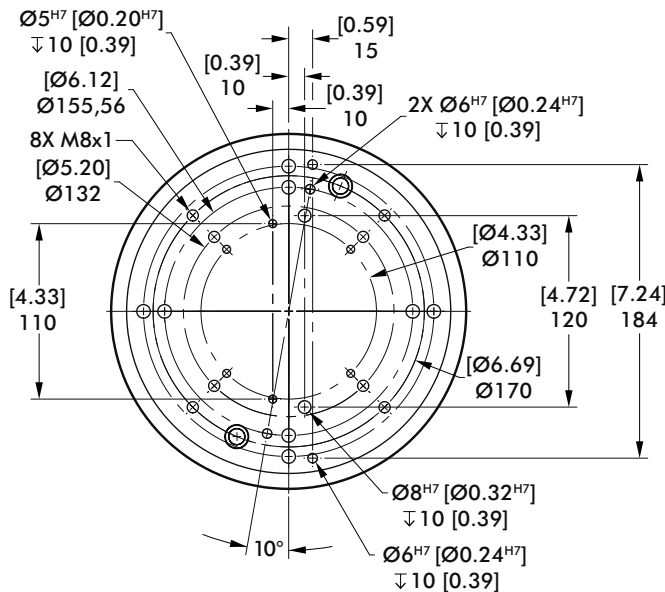
Robot Plate | Dimensions and Specifications

CB-200-R01 Robot Plate

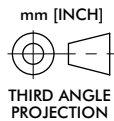
Robot Mount Surface



Clamp Mating Surface



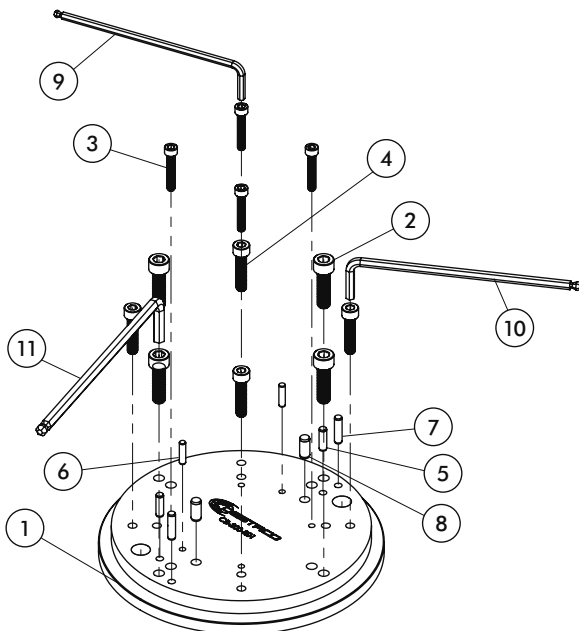
Mounting pattern is compatible with TM and UR Robots



Specifications:	Units	CB-200-R01
Weight :	Kg [lb]	2,51 [5.53]
Material:		Aluminum

CB-200-R01 Robot Plate Components

Hardware kit to mount Robot plate to UR and TM Robots



Item	Description	Quantity
1	Robot Plate	1
2	SHCS, M10 x 35mm, SS	4
3	SHCS, M6 x 30mm, SS	4
4	SHCS, M8 x 35mm, SS	4
5	Dowel Pin, $\text{Ø}6\text{mm} \times 20\text{mm}$ (AISI 316)	2
6	Dowel Pin, $\text{Ø}5\text{mm} \times 20\text{mm}$ (AISI 316)	2
7	Dowel Pin, $\text{Ø}6\text{mm} \times 24\text{mm}$ (AISI 316)	2
8	Dowel Pin, $\text{Ø}8\text{mm} \times 18\text{mm}$ (AISI 316)	2
9	Ball Pointed Wrench, Allen, 5mm Hex	1
10	Ball Pointed Wrench, Allen, 6mm Hex	1
11	Ball Pointed Wrench, Allen, 8mm Hex	1

QUICK-MOVE ROBOT BASE CHANGER

Robot Plate Blank, Clamp Collar | Dimensions and Specifications

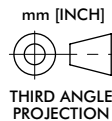
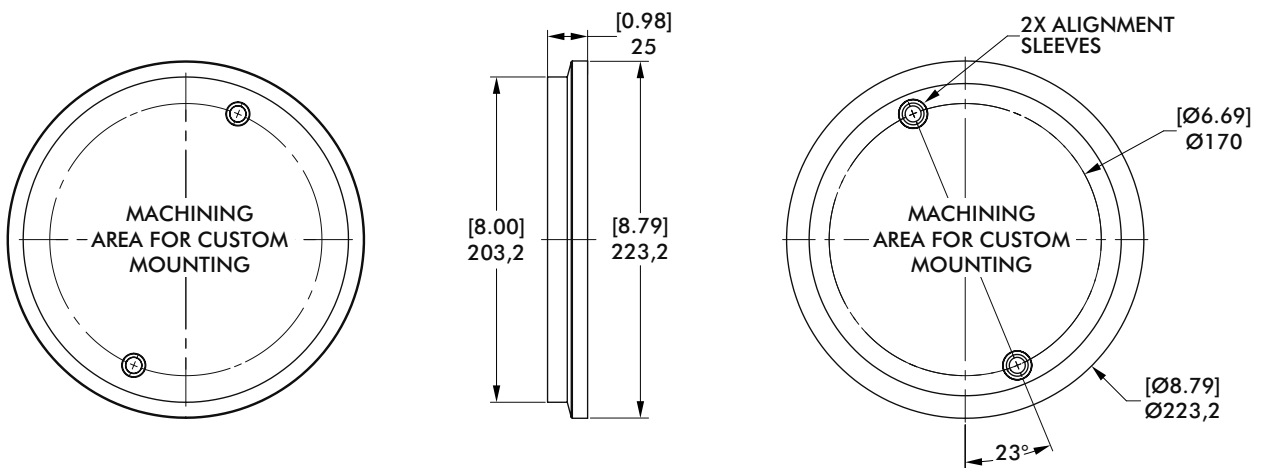


CB-200-R00 Robot Plate Blank

Robot Arm Surface

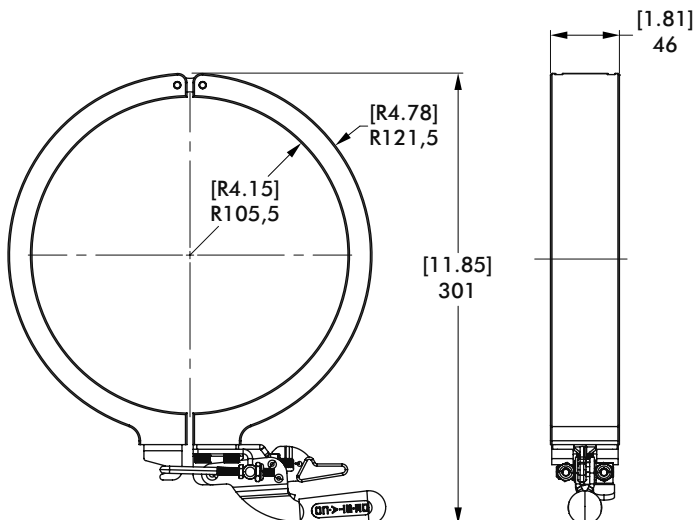


Clamp Mating Surface



Specifications:	Units	CB-200-R00
Weight :	Kg [lb]	2,26 [4.98]
Material:		Aluminum

CB-200-C01 Clamp Collar

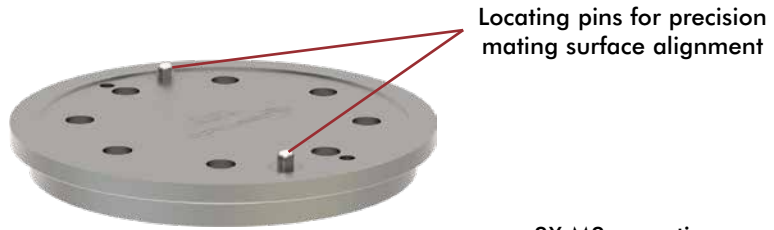


Specifications:	Units	CB-200-C01
Weight :	Kg [lb]	2 [4.4]
Material:		Aluminum

QUICK-MOVE ROBOT BASE CHANGER

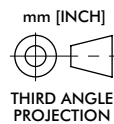
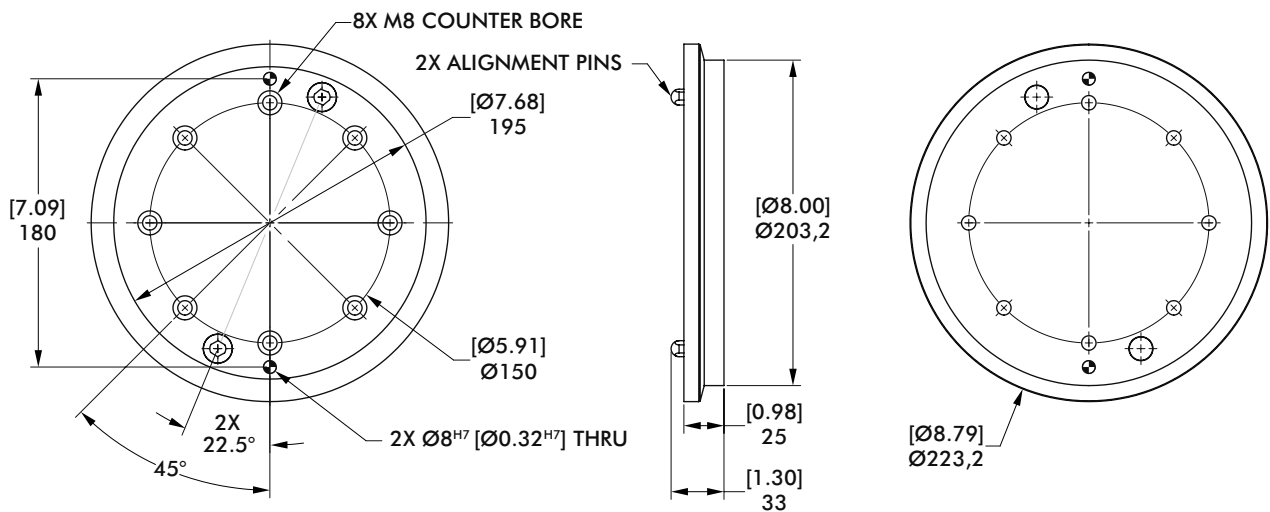
Workstation Base Plate | Dimensions and Specifications

CB-200-B01 Workstation Base Plate



Locating pins for precision mating surface alignment

8X M8 mounting screws and 2X 8mm dowel pins for mounting not included



Specifications:	Units	CB-200-B01
Weight :	Kg [lb]	2,28 [5]
Material:		Aluminum